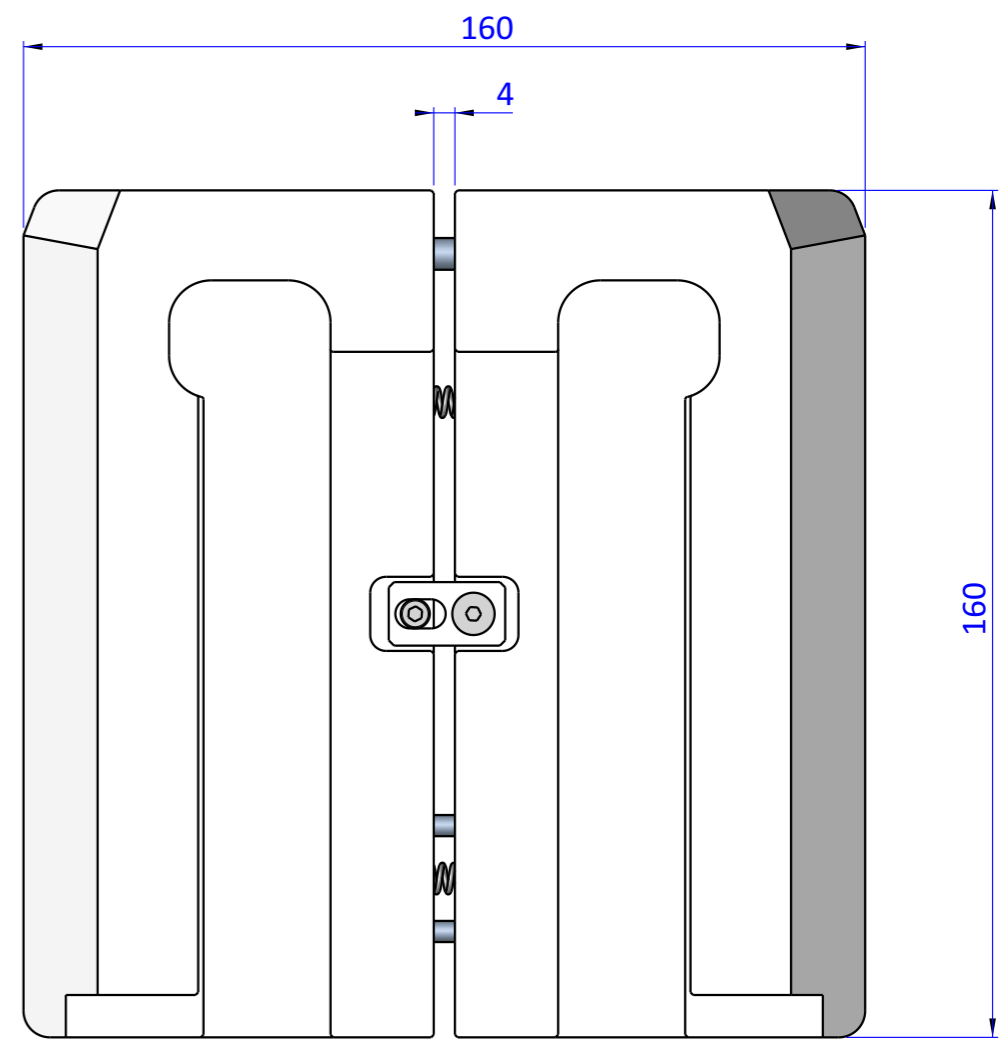
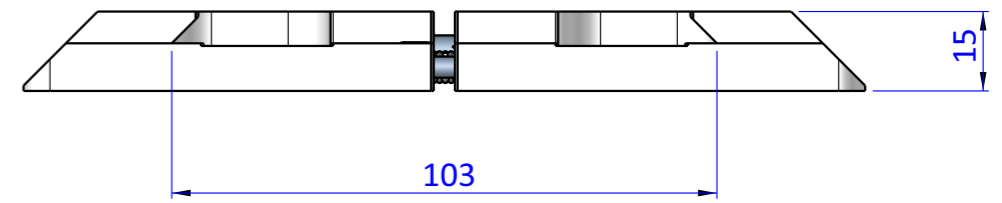
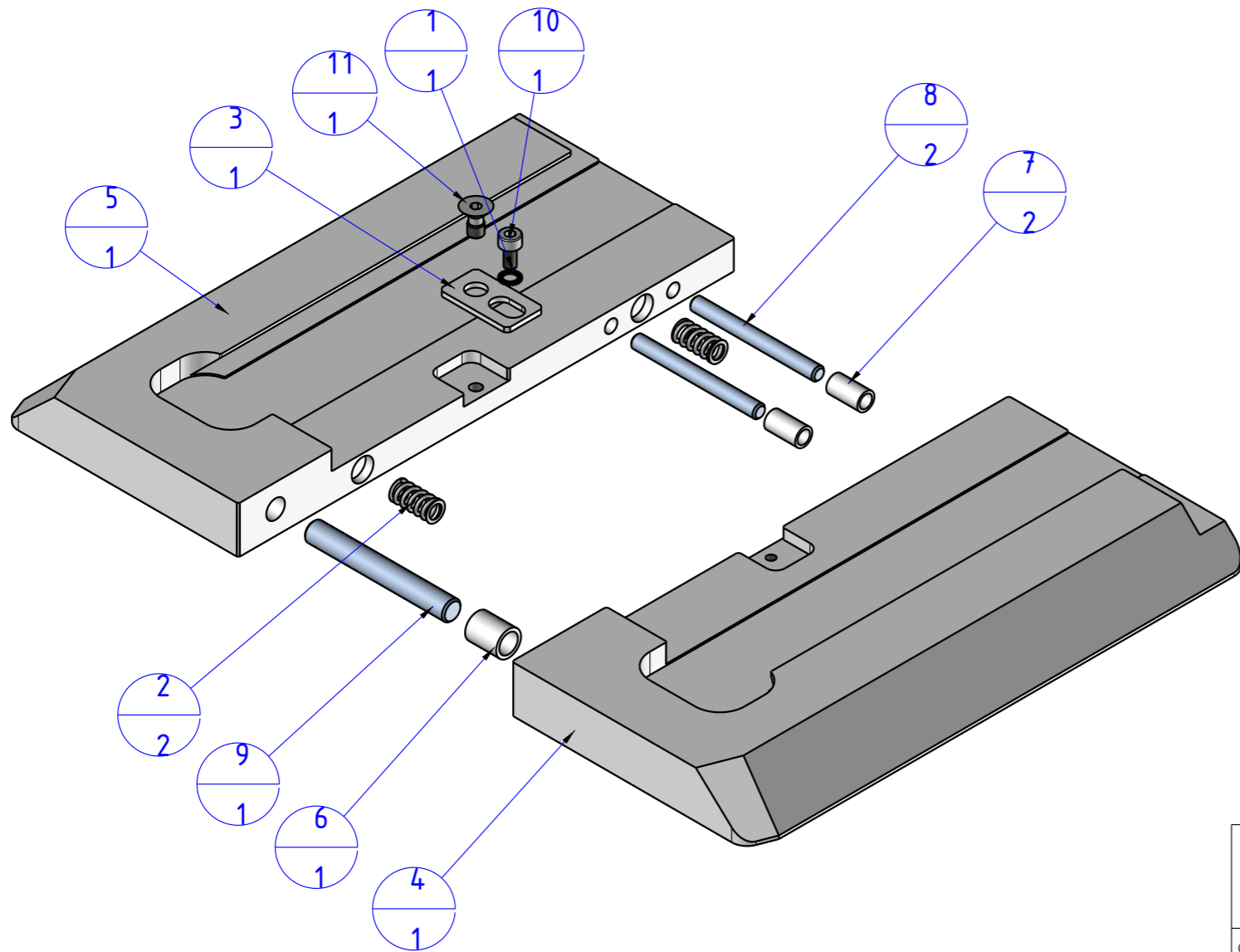



THE PROPERTY OF THE DRAWING IS ESTABLISHED BY LAW. IT IS FORBIDDEN TO PRODUCE OR SHOW IT TO THIRD PART. WITHOUT A WRITTEN AGREEMENT.

Item	Name	Q.ty
1	R.3.SCH	1
2	DIM.11860	2
3	GPR1.0.3	1
4	GPR2.1.1	1
5	GPR2.1.2	1
6	PAP.060810	1
7	PAP.0405510	2
8	SP.4X40	2
9	SP.6X45	1
10	V.TCE3x6	1
11	V.TSP4x8	1



Format A3  
UNI 936-76

 <b>FPS</b> FPSERVICES AUTOMATION		DESIGNED FROM		REVIEW
		FPS Automation		A
GENERAL TOLERANCE		DATE		WEIGHT
UNI - ISO 2768		-		0,703kg
CLASSE f		CODE		
		CA.GPR2.1		CA.GPR2.1